



ASCOT Double Sided Gate Lock

Suited to gates and most types of doors that require a digital lock to be locked from both sides.



Australian Registered
Design No. 202215177

mcgrathlocks.com.au



Designed to make access easier.

The ASCOT by McGrath Locks is a double sided digital lock designed for the Australian market. A great addition to the home, office or business, this 4 in 1 digital lock is specially designed for external applications such as a gate, where both sides need to be independently locked. It provides a versatile and convenient method of entry that allows you to easily manage who has access to your property.

Utilising the powerful TTLock Bluetooth APP, lock and user settings are easily configured and managed. Access can be provided to family and visitors alike through pin code, RFID credential, eKeys managed via BLE and mechanical key override. By adding a McGrath Locks WIFI gateway you can remotely unlock the ASCOT from anywhere in the world using the TTLock APP.

The ASCOT has an IP66 rating which makes it ideal for external applications where a robust solution is required. The lock is supplied with a tubular latch but can also be installed with a mortice lock should the need arise.



Bluetooth



Pin Code Unlock



RFID Unlock



Key Override



WIFI (via gateway)

Features



Battery life

12 months (based on 10 uses per day)



Includes 4 keys (Keyed alike)

Both sides are locked so that entry cannot be gained by reaching through or jumping over a gate.



Works with the TTLock APP

Provides the ability to manage all lock settings and users including eKeys, pin code, RFID card/fobs.



Passage mode

Keep one or both sides open. Perfect for when you have deliveries or busy with the gardening etc.



Designed for the Australian market



Type

Gates, timber door, aluminium door



Simple installation

ASCOT can retro fit in an existing 54mm hole or just as easily be fresh fitted. With no need for hard wiring it offers great flexibility for external installations.



Water resistant design that keeps your home safe in all kinds of climates

- IP66
- Tempered glass screen

Technical specifications

Hardware

Colour	Satin chrome, polished chrome, black
Type	Gates, timber door, aluminium door
Door thickness	35mm-55mm
Durability test	200,000 cycles
Material	Aluminium alloy, tempered glass screen
Spindle size	8mm
Lock case dimensions	75mm

Enrolment and Verification

Unlocking method	Pin code, RFID credential, Bluetooth, WIFI (Gateway required)
Support system	Android - 4.3 /IOS 7.0 and above
Platforms	TTLock, TTRenting, TTHotel
Communication mode	Bluetooth 5.0 BLE and above

Lock Features and Functions

Length of password	4-9 digits (Minimum of 4 digits available when set via APP)
Passage mode	Yes
Bluetooth capacity (eKeys)	Unlimited
Pin code capacity	250 codes (Some exceptions may apply)
RFID capacity	1000 (Some exceptions may apply)
Emergency opening	Mechanical key override
Batteries	4 x AAA Alkaline batteries per handle (Not included)
Stand-by power consumption	<30mA
Lock type	Tubular latch or mortice lock
Unlock time	1.5s
Motor working current	Less than 200mA
Card working frequency	13.56MHz
Battery life	12 months (Based on 10 uses per day)
Battery voltage	4.5V-8V
Low battery warning voltage	Lower than 4.8V

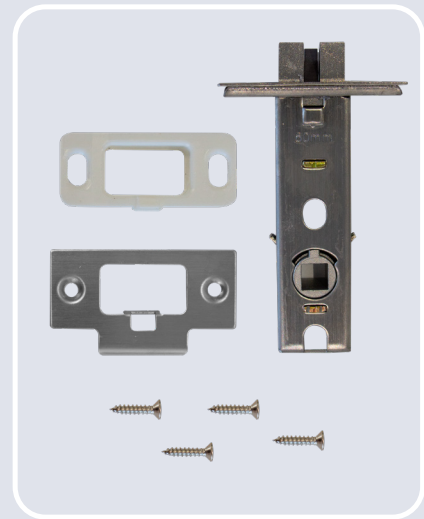
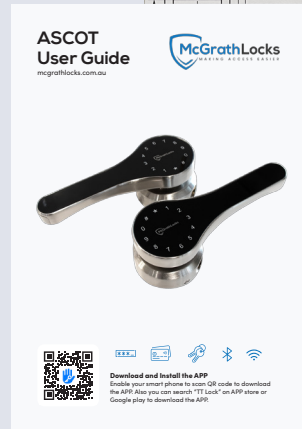
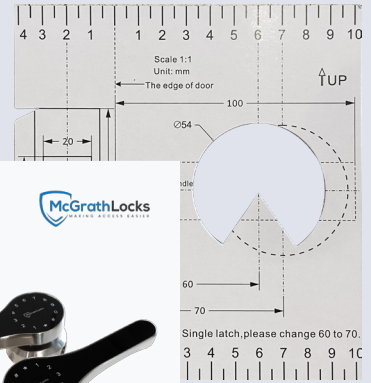
Operating Environment

Environment	-20°C to 70°C
Humidity	10%-97% RH
IP Class	IP66

Warranty 24 months

Australian Registered Design No. 202215177

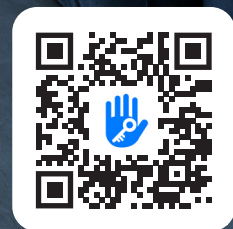
What's in the box





Advanced security for your
home with a selection of
easy access options.

McGrath Locks
Australia
mcgrathlocks.com.au



SCAN TO DOWNLOAD THE APP